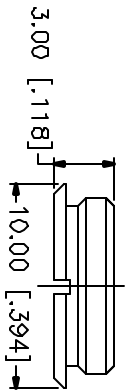
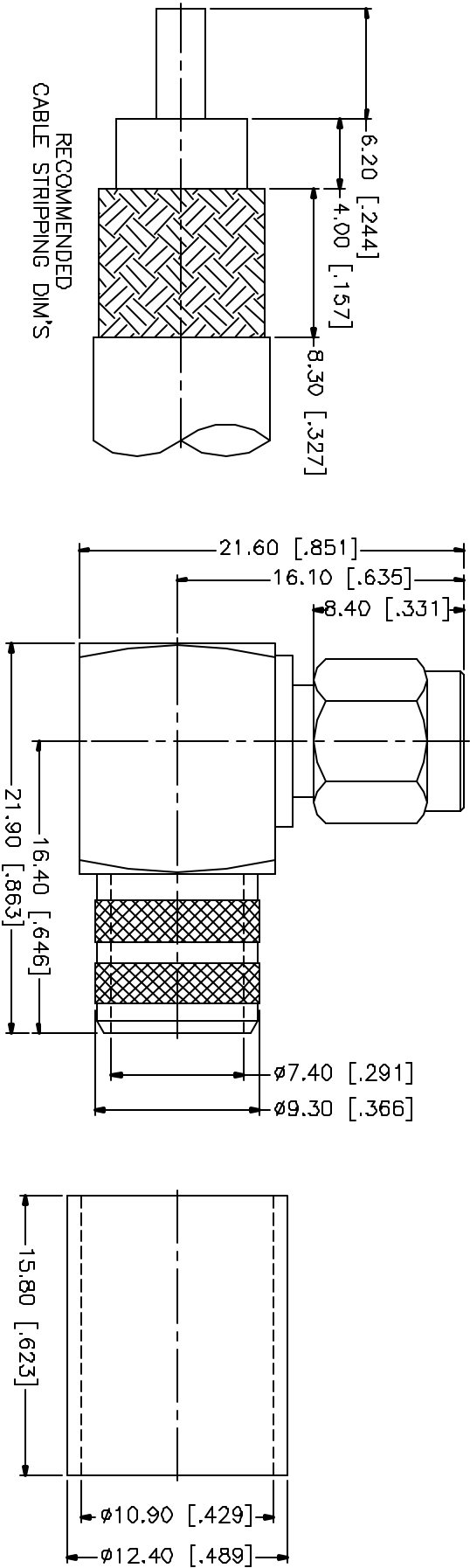


REV.	DATE	DESCRIPTION
NC	02/27/01	INITIAL RELEASE



DESCRIPTION	MATERIAL	FINISH	UNLESS OTHERWISE SPECIFIED DIMENSIONS ARE IN MILLIMETERS FOR CUSTOMER REFERENCE ONLY	APPROVALS	DATE	TITLE	SCALE	SHEET	REV.
1 BODY	BRASS	GOLD	UNLESS OTHERWISE SPECIFIED DIMENSIONS ARE IN MILLIMETERS FOR CUSTOMER REFERENCE ONLY UNLESS OTHERWISE SPECIFIED TOLERANCES FOR MILLIMETERS ARE: 0.5-6 = ± 0.2 6-30 = ± 0.4 30-120 = ± 0.6 120-315 = ± 1 315-1000 = ± 1.5 1000-2000 = ± 2.4	DRAWN	02/27/01	SMA R/A CRIMP PLUG (FOR BELDEN 9913, 9914, TIME U/R-400 CABLE)	A	1	NC
2 INSULATOR	TEFLON	NATURAL		CHECKED	G.R.S.				
3 CONTACT PIN	BRASS	GOLD		ISSUED					
4 FERRULE	COPPER	GOLD							
5 COVER	BRASS	GOLD							
6									
7									
8				DO NOT SCALE DRAWING					



132299.DWG

1 OF 1